

QUANTUM EM4-2 / EM7-2

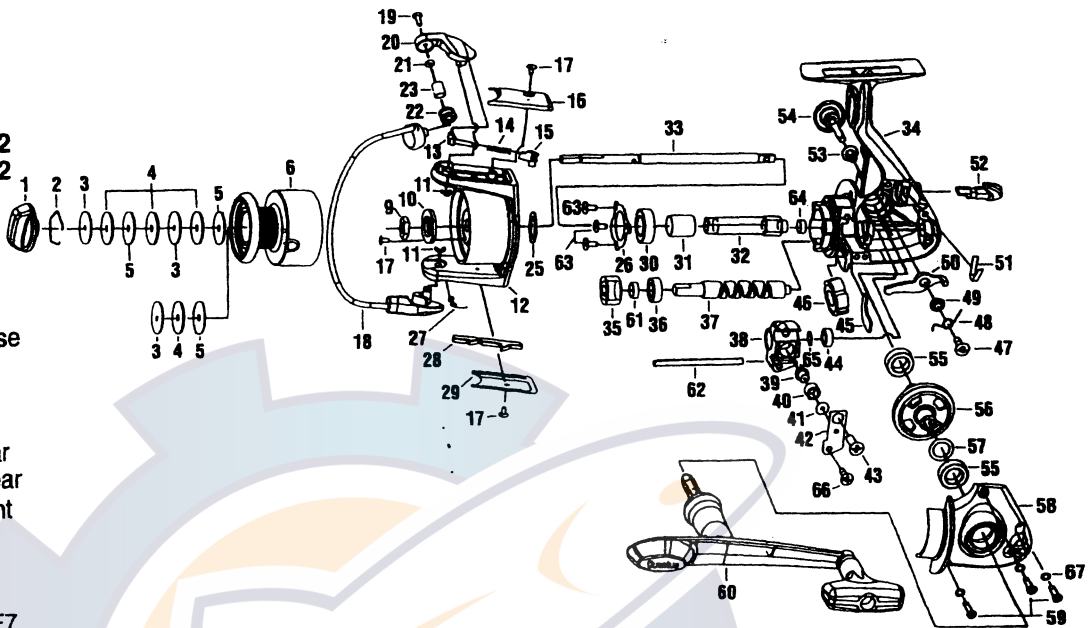
SPECIFICATIONS:

Med. Light Freshwater
 Ultra Light Saltwater
 120 yds/8 lb Line Capacity
 5.8:1 Ratio
 11.5 oz. Weight

6 Ball, 1 Roller Bearing – EM7-2
 3 Ball, 1 Roller Bearing – EM4-2

FEATURES:

One-piece, no-torque aluminum frame
 TRU-Balance rotor/handle
 Selective Continuous Anti-Reverse
 Soft-touch padded reel stem
 MaxCast aluminum Long Stroke spool
 Forged-aluminum alloy drive gear and machined brass pinion gear
 Stainless-steel corrosion-resistant hardware
 Right/left hand retrieve
 Worm gear oscillation
 Spare lt.-line spool included on E7 reel



Key No.	EM7-2 Part No.	EM4-2 Part No.	Description	Price	Key No.	EM7-2 Part No.	EM4-2 Part No.	Description	Price
1	FH332-05	FH332-06	Drag Knob Assembly	2.80	36	N/A	TU202-01	Worm Shaft Bushing	.30
2	SU038-01	SU038-01	Drag Retainer	.30	37	RU201-01	RU201-01	Worm Shaft	3.00
3	RU080-01	RU080-01	Drag Washer "D"	1.10	38	RU204-01	RU204-01	Pawl Holder	1.25
4	RU033-01	RU033-01	Drag Washer "B"	2.50	39	TU207-01	TU207-01	Pawl	2.63
5	RU081-01	RU081-01	Drag Washer "A"	1.10	40	UQ208-03	UQ208-03	Pawl Collar	.31
6	SU321-01	SU321-02	Spool Assembly	14.85	41	RU209-01	RU209-01	Pawl Washer	.30
9	RU006-01	RU006-01	Rotor Nut	.90	42	RU205-01	RU205-01	Pawl Holder Retainer	1.15
10	TL065-01	TL065-01	Rotor "D" Washer	1.13	43	UQ100-03	UQ100-03	Main Shaft Screw	.40
11	GH034-01	GH034-01	E-Clip	.31	44	GH202-02	N/A	Worm Shaft Ball Bearing	7.40
12	FH009-06	FH009-07	Rotor	8.15	44	N/A	GH203-01	Worm Shaft Bushing	.30
13	QL031-01	QL031-01	Bail Spring Shaft	.77	45	TU206-01	TU206-01	Worm Shaft Retainer	1.13
14	KQ049-05	KQ049-05	Bail Spring	.31	46	GH074-01	GH074-01	Clutch Bearing	10.71
15	QL020-01	QL020-01	Bail Spring Holder	.31	47	RU077-01	RU077-01	Anti-Reverse Pawl Screw	.25
16	FH087-06	FH087-07	Arm Lever Spring Cover	2.60	48	TU061-01	TU061-01	Anti-Reverse Pawl Spring	.31
17	UQ057-01	UQ057-01	Screw	.31	49	TU091-01	TU091-01	Anti-Reverse Pawl Post	1.13
18	FH347-06	FH347-07	Bail Assembly	3.70	50	TU063-01	TU063-01	Anti-Reverse Pawl	1.18
19	AQ108-01	AQ108-01	Line Slider Screw	.30	51	GH089-01	GH089-01	Anti-Reverse Lever Spring	1.18
20	ZQ007-06	ZQ007-07	Arm Lever	2.25	52	GH090-03	GH090-03	Anti-Reverse Lever	2.50
21	GU105-25	GU105-25	Line Roller Washer	.31	53	RU105-01	RU105-01	Handle Cap Washer	.50
22	TU004-03	N/A	Line Roller w/Bearing	6.70	54	RU073-01	RU073-02	Handle Cap Screw	1.75
22	N/A	GH004-02	Line Roller	4.55	55	BL157-01	BL157-01	Ball Bearing	5.41
23	N/A	GH016-01	Line Roller Bushing	1.13	56	RU012-01	RU012-01	Drive Gear	16.65
25	GU105-12	GU105-12	Rotor Washer	.31	57	GU105-13	GU105-13	Adjust Washer	.64
26	RU040-01	RU040-01	Bearing Plate	1.10	58	RU023-03	RU023-04	Body Cover	7.40
27	GH049-01	GH049-01	Kick Lever Spring	.31	59	RU057-01	RU057-01	Body Cover Screw	.50
28	FH019-01	FH019-01	Kick Lever	1.08	60	RU318-01	RU318-02	Handle Assembly	12.95
29	FH024-06	FH024-07	Kick Lever Cover	2.60	61	GH212-01	N/A	Worm Shaft Collar	1.13
30	BL157-01	BL157-01	Ball Bearing	5.41	62	RU211-01	RU211-01	Stabilizer Bar	1.55
31	TU052-01	TU052-01	Bearing Sleeve	2.68	63	RU041-01	RU041-01	Screw	.40
32	RU011-01	RU011-01	Pinion Gear	5.00	64	RU141-01	RU141-01	Pinion Bushing	1.55
33	SU315-01	SU315-01	Main Shaft Assembly	4.10	65	GU105-31	GU105-31	Worm Shaft Washer	.31
34	RU301-03	RU301-04	Body Assembly	17.40	66	GH123-01	GH123-01	Plate Screw	.90
35	FH200-01	FH200-01	Level Wind Gear	1.65	67	RU142-01	RU142-01	Body Cover Screw Washer	.90
36	GH202-01	N/A	Worm Shaft Ball Bearing	7.40					

MODEL INTRODUCED 1997

EFFECTIVE DATE OF PARTS LIST/DIAGRAM

Oct. 1996

DISCONTINUED N/A